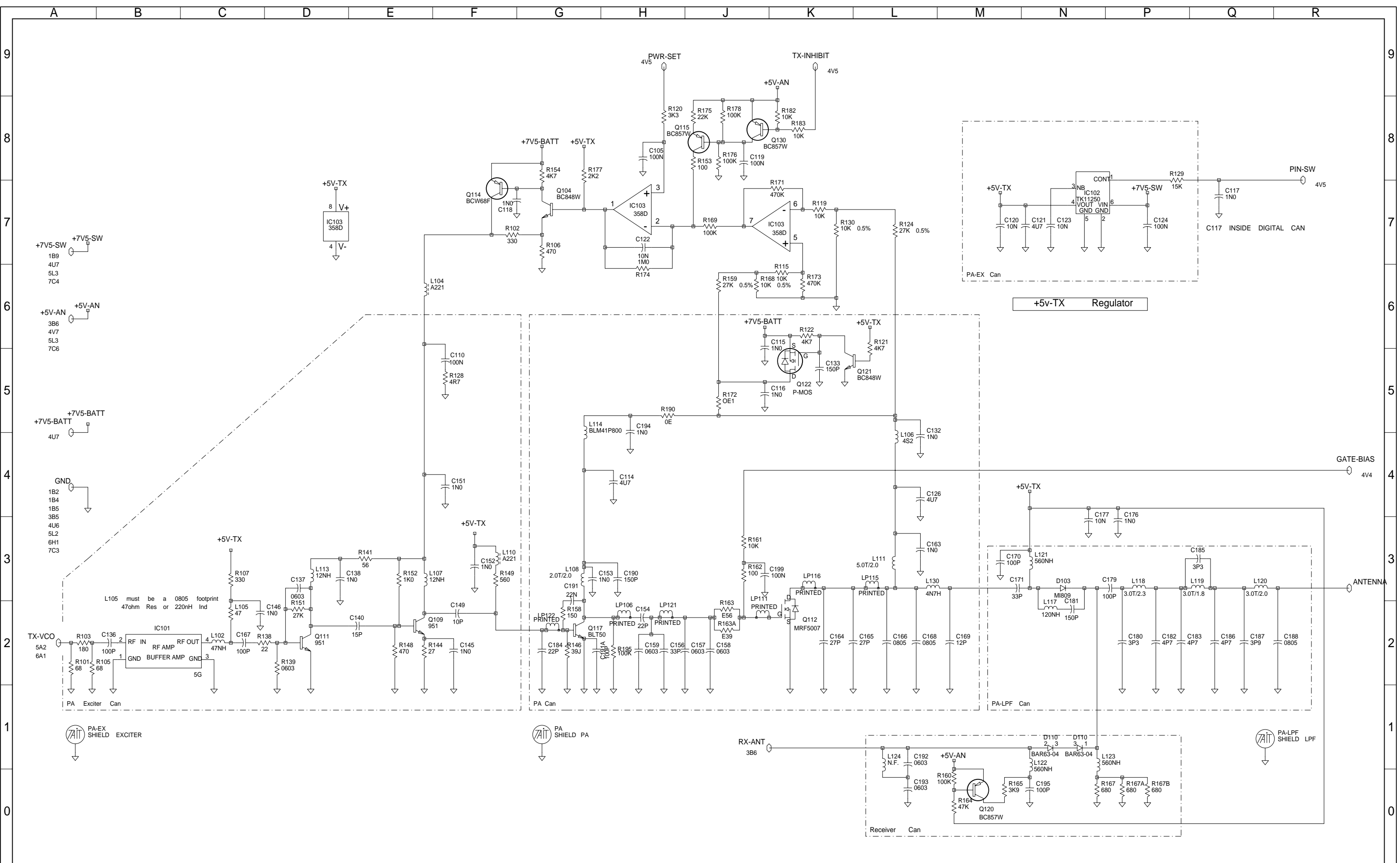


REV/ISS	AMENDMENTS	DRAWN	CHKD	D.O.	APVD	DATE
07D	CHANGED CAN NAMES TO MATCH BAAN	BRD				19-04-99
07C	ROTATED TANT C364 180 DEGS00185	BRD				11-03-99
07C	CHANGED PASTE ON PA & PROB PINS	BRD				19-02-99
05	MOREUPDATES	DBH				
04	UPDATED AND MOVED AERIAL SOCKET	MAJ				
03 B	UPDATED VALUES ADDED CANS TO PLA	MAJ				

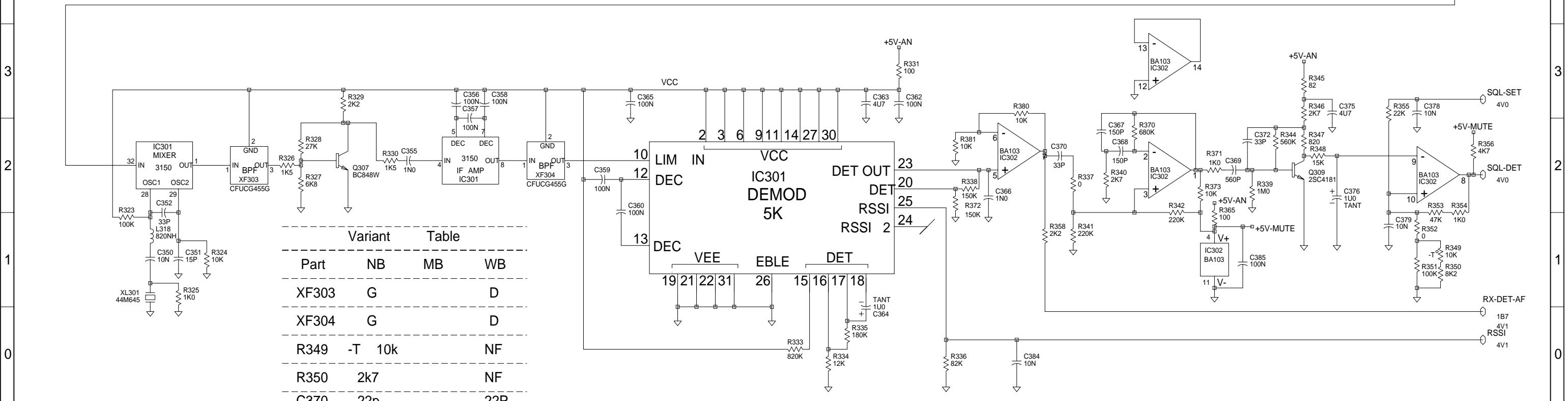
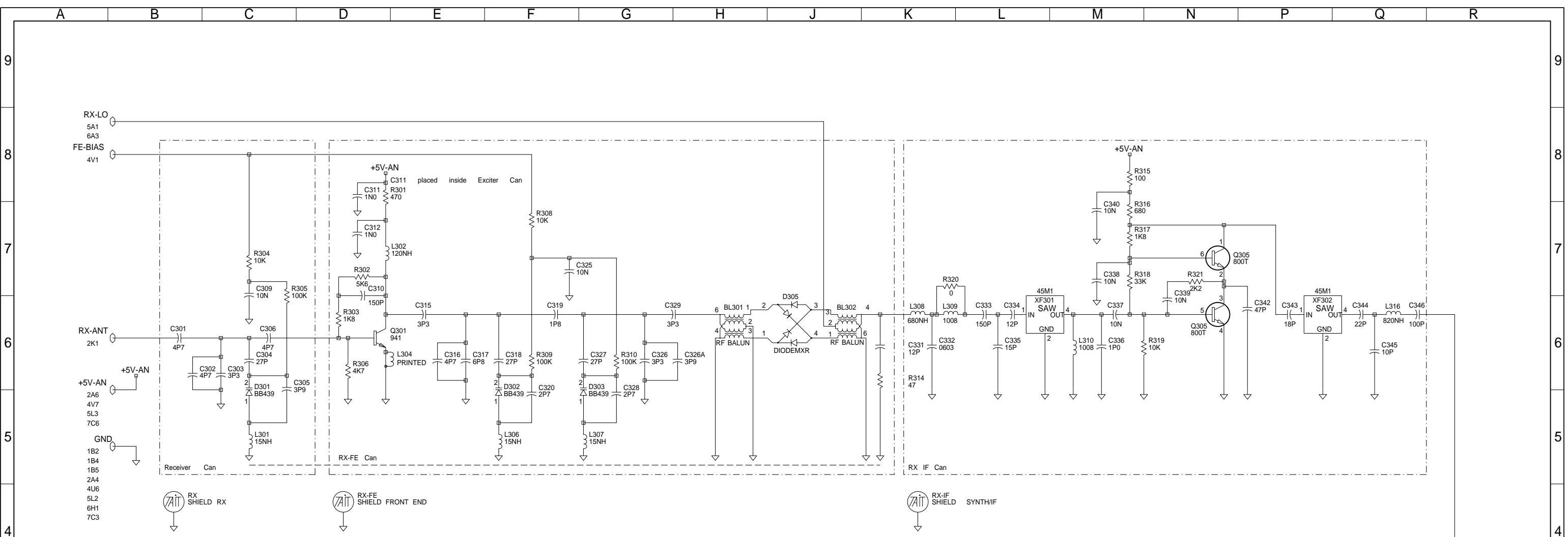
© TAIT ELECTRONICS
 ORCA :TP010-5122 400-440MHZ
 SYSTEM DIAGRAM

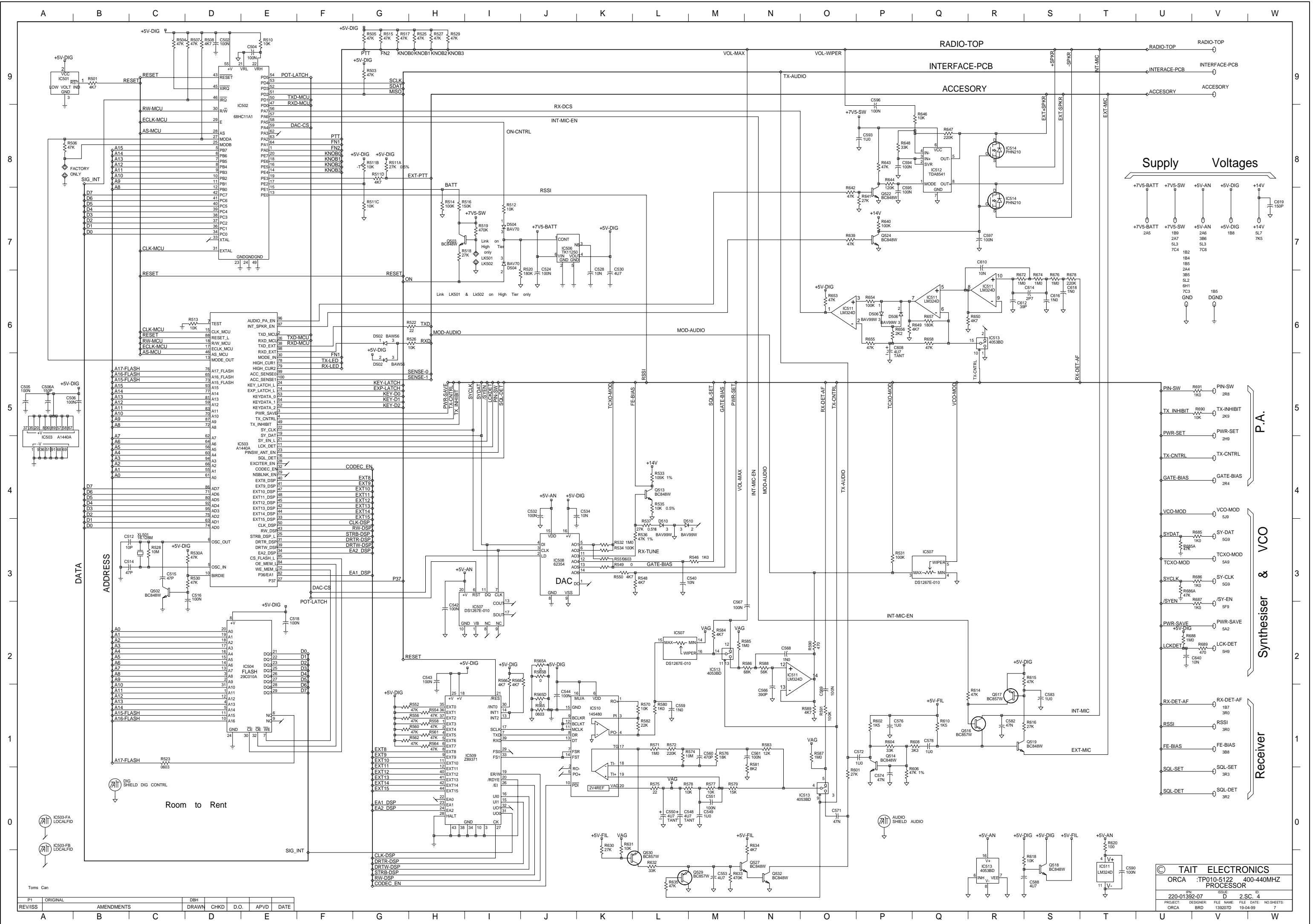
IPN: 220-01392-07 ISSUE: D ID: 2.S.C. 1
 PROJECT: ORCA BRD 139207D FILE NAME: 19-04-99 NO.SHEETS: 7



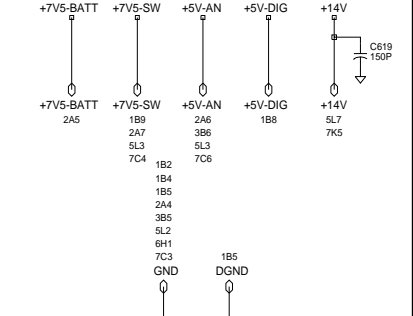
© TAIT ELECTRONICS
 ORCA :TP010-5122 400-440MHZ
 POWER AMPLIFIER
 IPN: 220-01392-07 ISSUE: D ID: 2.S.C. 2
 PROJECT: ORCA BRD DESIGNER: FILE NAME: 139207D FILE DATE: 19-04-99 NO.SHEETS: 7

REV/ISS	AMENDMENTS	DRAWN	CHKD	D.O.	APVD	DATE
A						





Supply Voltages



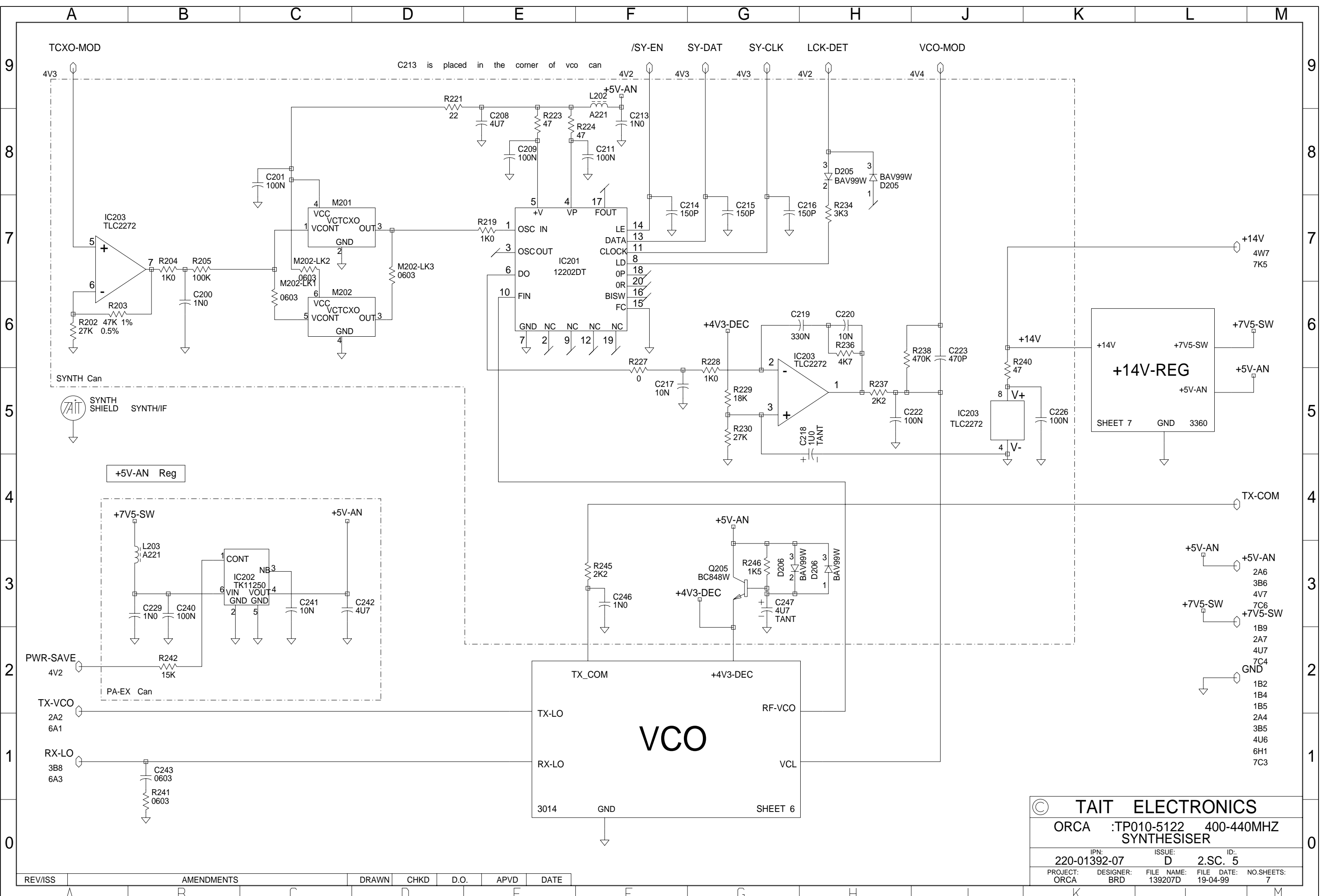
- PIN-SW 288
- TX-INHIBIT 289
- PWR-SET 289
- TX-CNTRL 289
- GATE-BIAS 284
- VCO-MOD 510
- SYDAT 509
- TCXO-MOD 549
- SYCLK 509
- SYEN 509
- PWR-SAVE 5A2
- LCKDET 549
- RX-DET-AF 380
- RSSI 380
- FE-BIAS 388
- SOL-SET 383
- SOL-DET 382

© TAIT ELECTRONICS
 ORCA :TP010-5122 400-440MHZ
 PROCESSOR
 220-01392-07 D 2-SC 4
 PRODUCT DESIGNER FILE NAME FILE DATE NO SHEETS
 ORCA BRD 138207D 19-04-99 7

REV/ISS	ORIGINAL	AMENDMENTS	DRAWN	CHKD	D.O.	APVD	DATE
P1			DBH				

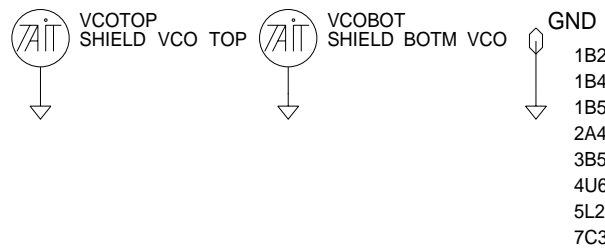
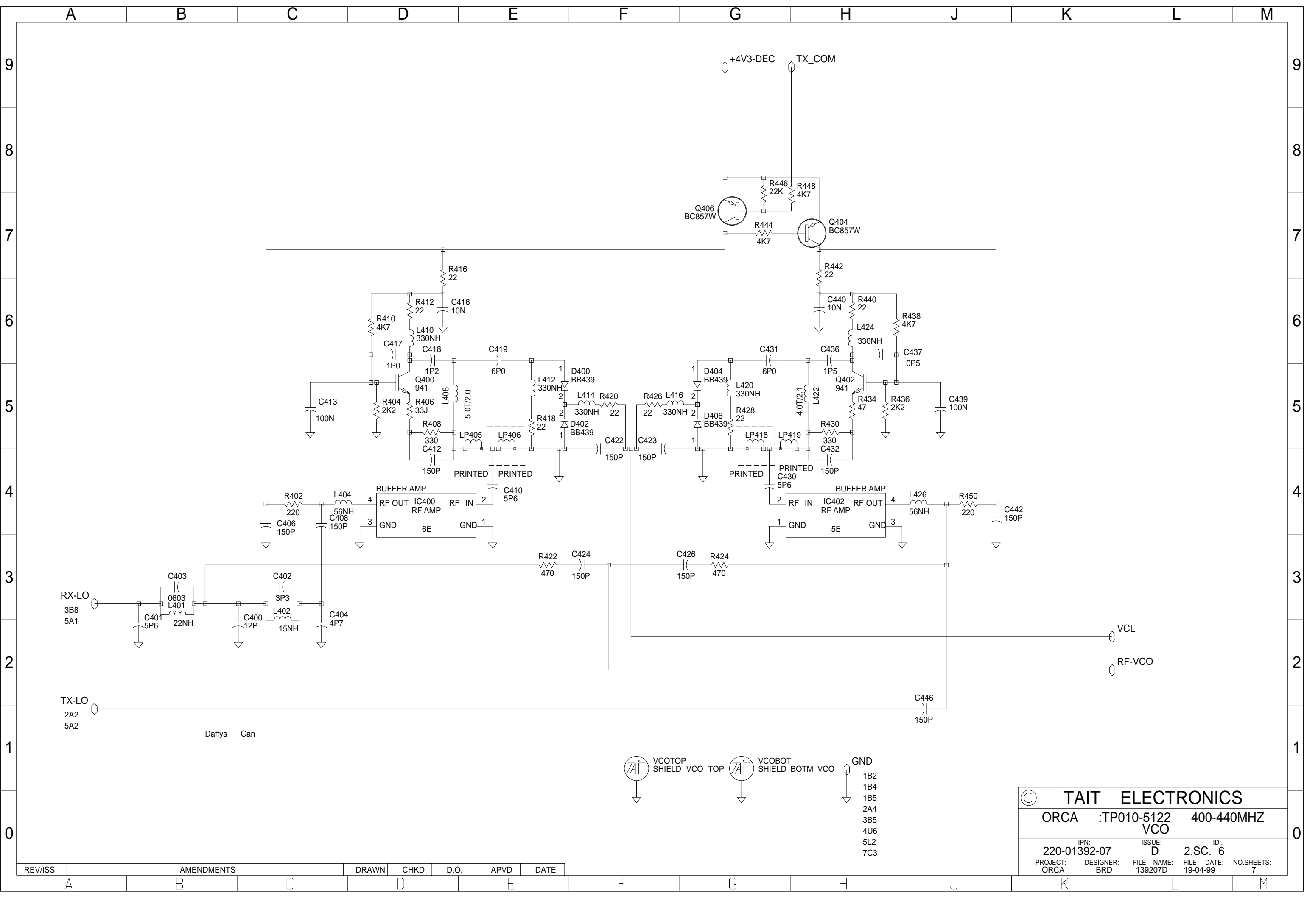
Toms Can

Room to Rent



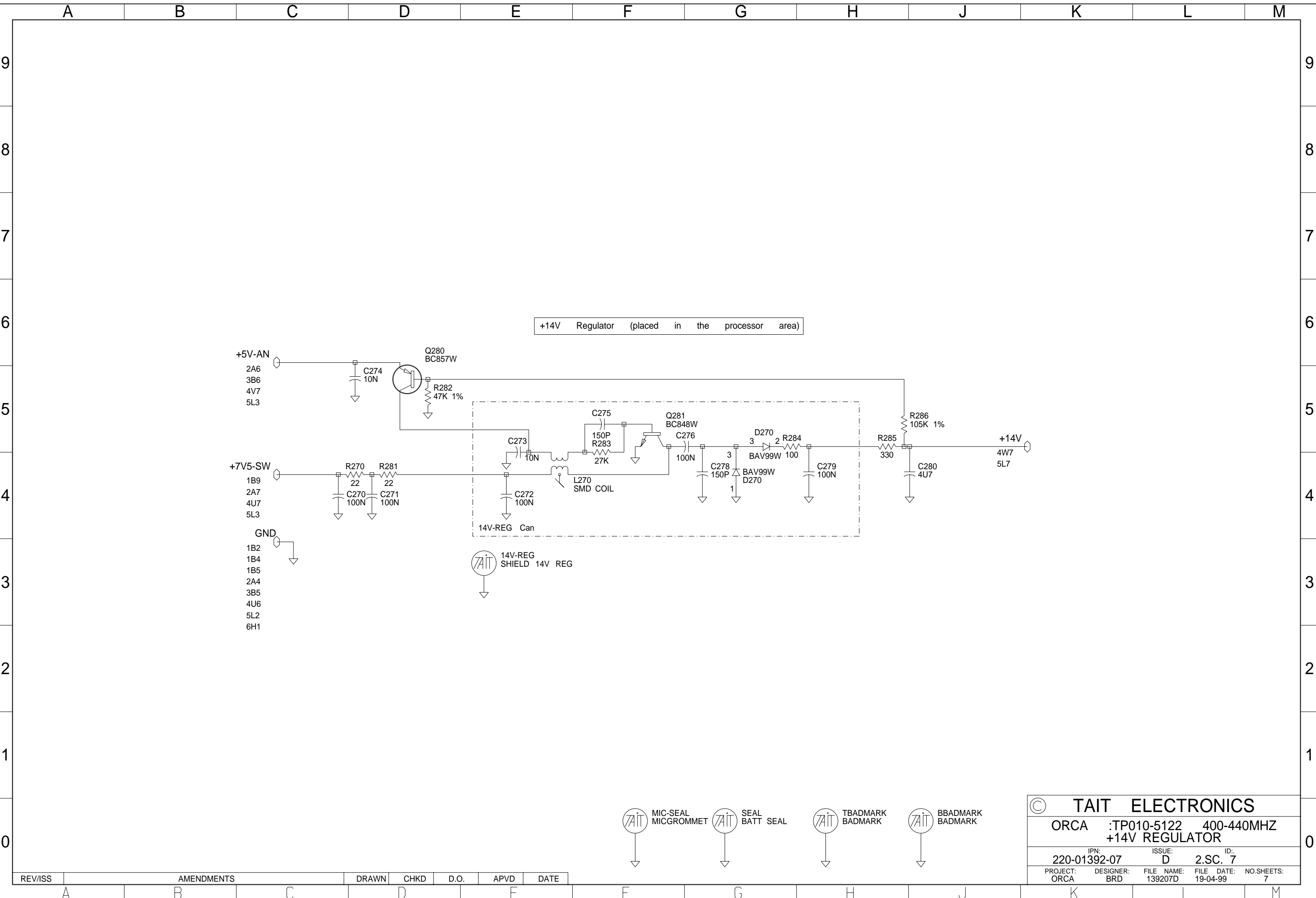
© TAIT ELECTRONICS
 ORCA :TP010-5122 400-440MHZ SYNTHESISER
 IPN: 220-01392-07 ISSUE: D ID: 2.SC. 5
 PROJECT: ORCA DESIGNER: BRD FILE NAME: 139207D FILE DATE: 19-04-99 NO.SHEETS: 7

REV/ISS	AMENDMENTS	DRAWN	CHKD	D.O.	APVD	DATE

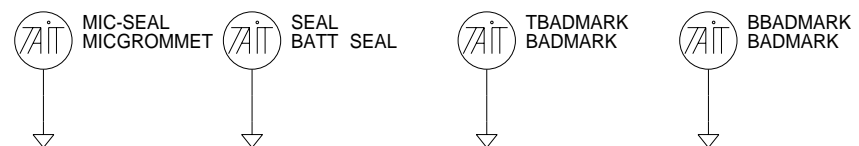
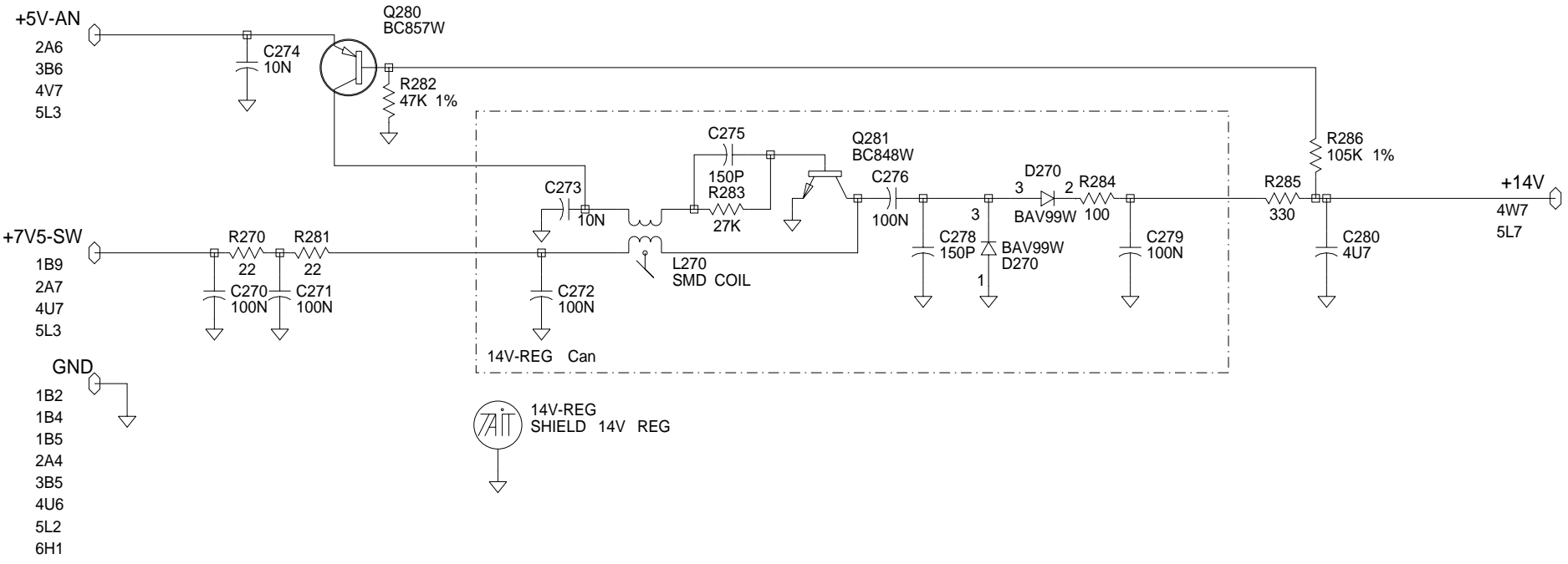


© TAIT ELECTRONICS				
ORCA	:TP010-5122	400-440MHZ	VCO	
IPN:	ISSUE:	ID:		
220-01392-07	D	2.SC. 6		
PROJECT:	DESIGNER:	FILE NAME:	FILE DATE:	NO.SHEETS:
ORCA	BRD	139207D	19-04-99	7

REV/ISS	AMENDMENTS	DRAWN	CHKD	D.O.	APVD	DATE



+14V Regulator (placed in the processor area)



© TAIT ELECTRONICS				
ORCA	:TP010-5122	400-440MHZ	+14V REGULATOR	
220-01392-07	IPN:	D	ISSUE:	ID: 7
PROJECT: ORCA	DESIGNER: BRD	FILE NAME: 139207D	FILE DATE: 19-04-99	NO.SHEETS: 7

REV/ISS	AMENDMENTS	DRAWN	CHKD	D.O.	APVD	DATE
---------	------------	-------	------	------	------	------